

Andor excitation & detection options – May 23

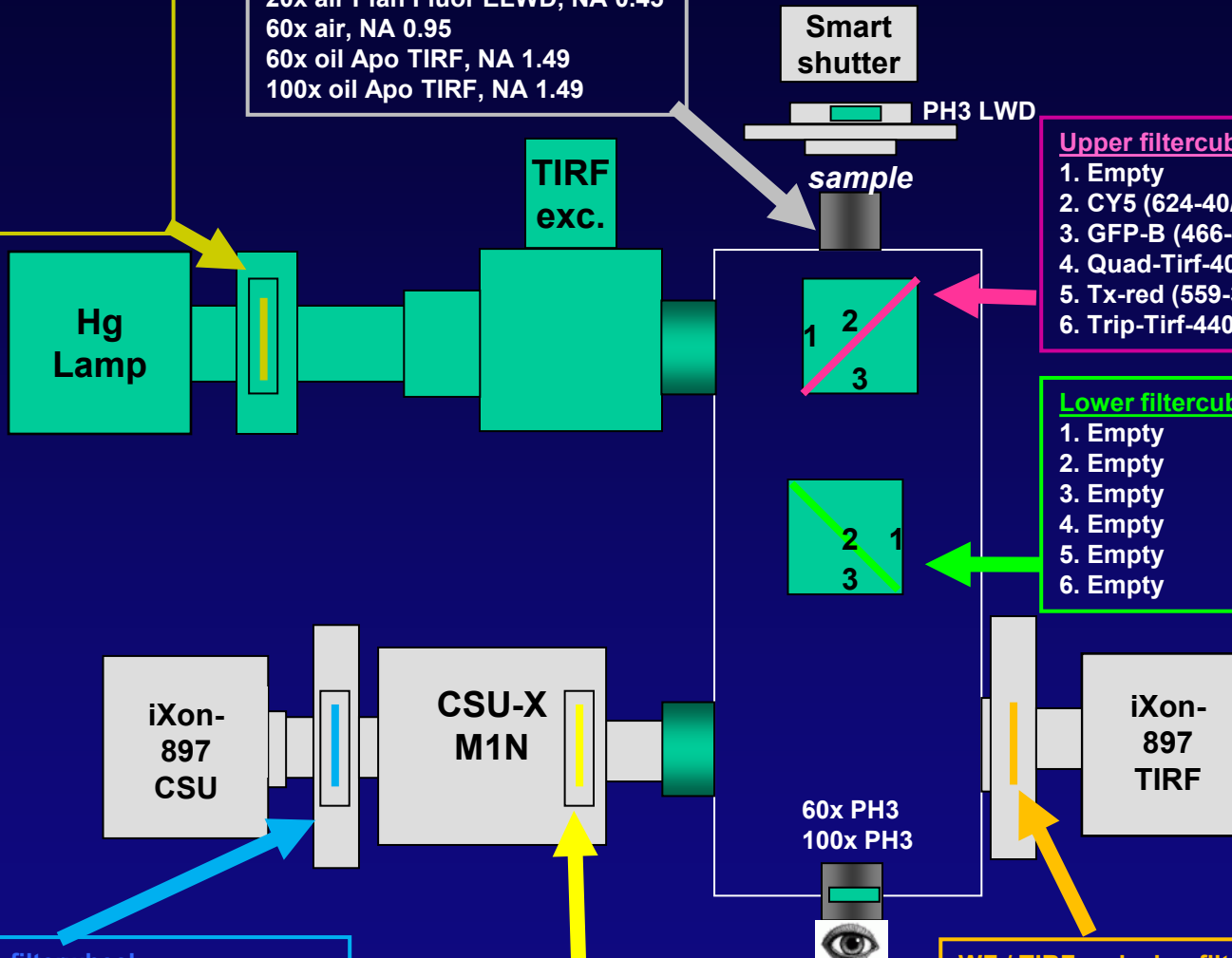


Mercury lamp excitation

0. BP365-10
1. BP405-20
2. BP440-20
3. BP470-20
4. BP510-20
5. BP546-11
6. BP577-20
7. BP630-20

Objectives

- 20x air Plan Fluor ELWD, NA 0.45
- 60x air, NA 0.95
- 60x oil Apo TIRF, NA 1.49
- 100x oil Apo TIRF, NA 1.49



Upper filtercube (Filter changer1)

1. Empty
2. CY5 (624-40/660LP/692-40)
3. GFP-B (466-40/495LP/525-50)
4. Quad-Tirf-405/488/561/640
5. Tx-red (559-34/585LP/630-69)
6. Trip-Tirf-440/541/594

Lower filtercube (Manual)

1. Empty
2. Empty
3. Empty
4. Empty
5. Empty
6. Empty

Spinning disc emission filterwheel

- | | |
|---------------------|--------------------------|
| 0. BP447-50 | 5. Quad(405/488/561/640) |
| 1. Trip 480/535/660 | 6. BP480-40 |
| 2. LP500 | 7. BP550/35 |
| 3. LP610 | 8. BP534-30 |
| 4. BP800/80 | 9. BP630/60 |

CSU dichroics (3 pos)

1. Trip Shp 405/488/561(broad)
2. Trip Shp 442/514/594
3. Quad Shp 405/488/561/640

WF / TIRF emission filterwheel

- | | |
|-------------|-------------------|
| 0. BP460-50 | 5. LP561-razor |
| 1. BP480-40 | 6. BP628-32 |
| 2. Empty | 7. Double 520/600 |
| 3. BP540-40 | 8. Empty |
| 4. BP545-50 | 9. Empty |

Andor excitation options – May 23

