

Andor system

- Mercury lamp excitation wheel B**
0. BP365-10
 1. BP405-20
 2. BP440-20
 3. BP470-20
 4. BP510-20
 5. BP546-11
 6. BP577-20
 7. empty
 8. empty
 9. empty

- Objectives**
- 20x air Plan Fluor ELWD, NA 0.45
 - 60x oil Apo TIRF, NA 1.49
 - 100x oil Apo TIRF, NA 1.49

- Upper filtercube (Filter changer 2)**
1. X-20/80(TIRF)-X
 2. confocal (=empty)
 3. X-405/488/561/640(TIRF)-X
 4. X-442/514/594(TIRF)-X
 5. X-442/514-X
 6. X-X-LP565

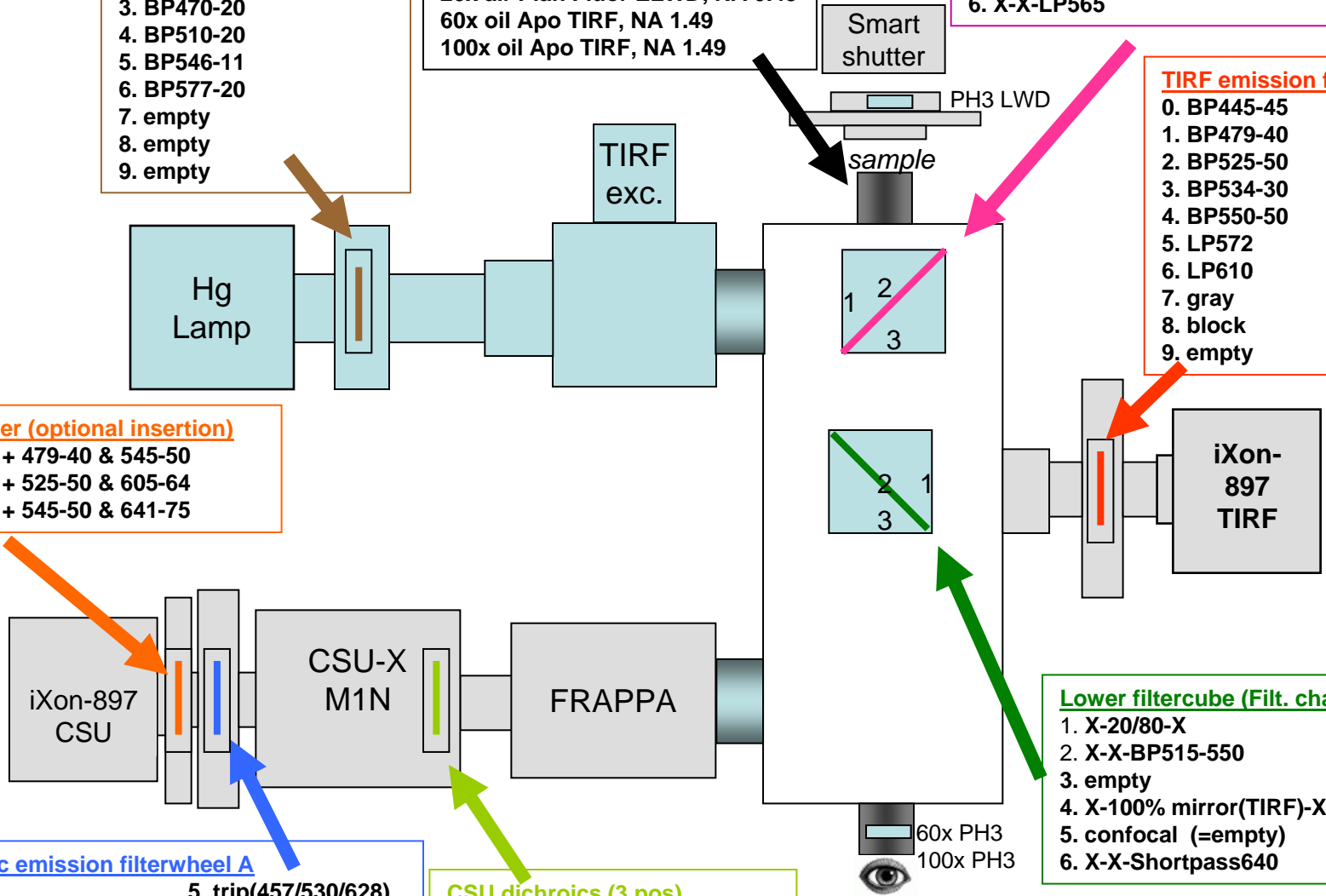
- TIRF emission filterwheel C**
0. BP445-45
 1. BP479-40
 2. BP525-50
 3. BP534-30
 4. BP550-50
 5. LP572
 6. LP610
 7. gray
 8. block
 9. empty

- Opto splitter (optional insertion)**
1. 506dich + 479-40 & 545-50
 2. 560dich + 525-50 & 605-64
 3. 593dich + 545-50 & 641-75

- Lower filtercube (Filt. changer 1)**
1. X-20/80-X
 2. X-X-BP515-550
 3. empty
 4. X-100% mirror(TIRF)-X
 5. confocal (=empty)
 6. X-X-Shortpass640

- Spinning disc emission filterwheel A**
- | | |
|---------------------|----------------------|
| 0. BP447-50 | 5. trip(457/530/628) |
| 1. BP479-40 | 6. BP624-40 |
| 2. BP525-50 | 7. double (512/630) |
| 3. BP600-37 | 8. BP534-30 |
| 4. trip 464/542/635 | 9. BP630-69 (CLEM) |

- CSU dichroics (3 pos)**
1. Trip Shp 405/488/561(broad)
 2. Trip Shp 442/514/594
 3. Quad Shp 405/488/561/640



60x PH3
100x PH3