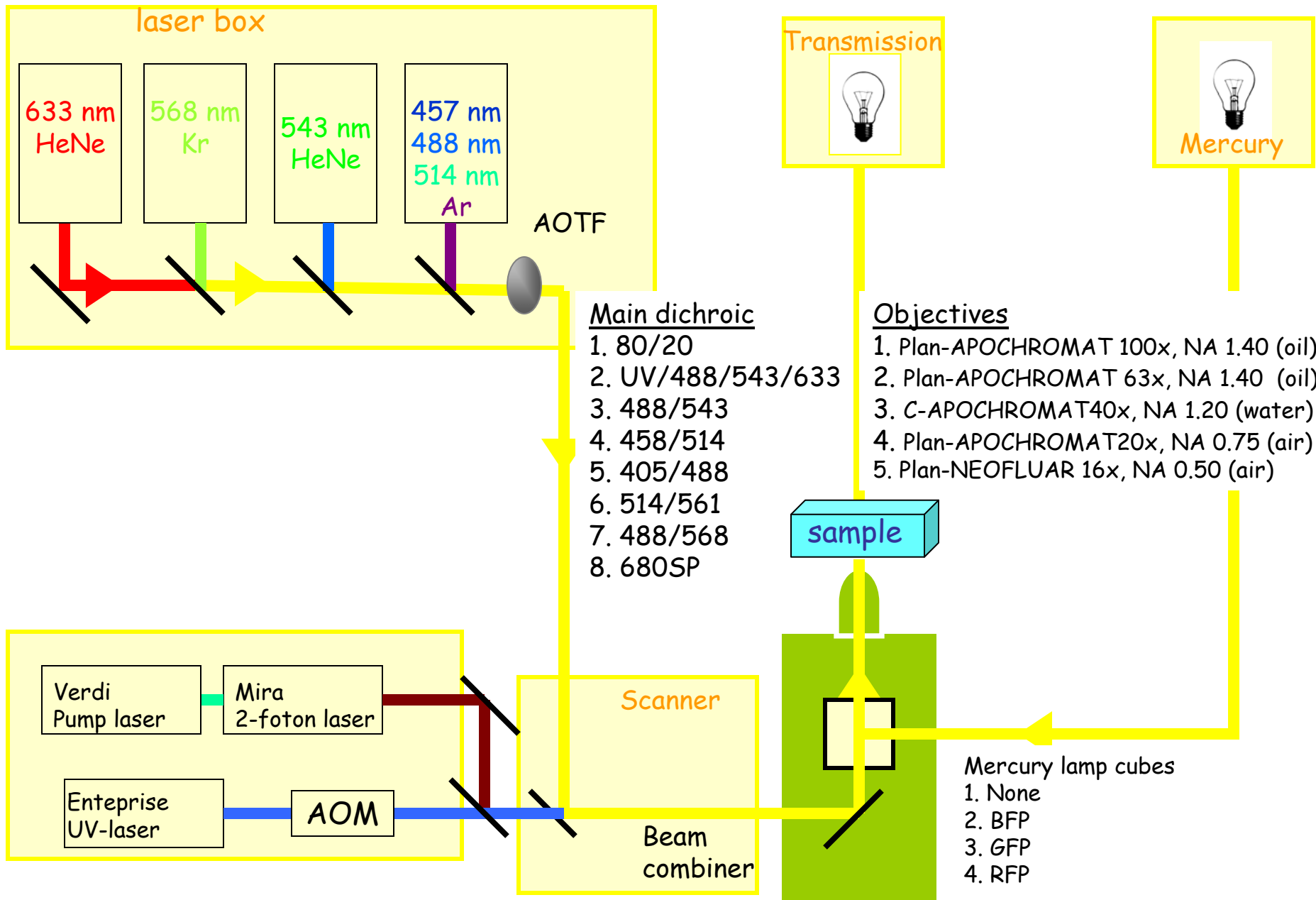




# LSM510 excitation options

CAM, 2 Dec 2010



## laser box

633 nm HeNe

568 nm Kr

543 nm HeNe

457 nm  
488 nm  
514 nm Ar

AOTF

### Main dichroic

1. 80/20
2. UV/488/543/633
3. 488/543
4. 458/514
5. 405/488
6. 514/561
7. 488/568
8. 680SP

### Objectives

1. Plan-APOCHROMAT 100x, NA 1.40 (oil)
2. Plan-APOCHROMAT 63x, NA 1.40 (oil)
3. C-APOCHROMAT40x, NA 1.20 (water)
4. Plan-APOCHROMAT20x, NA 0.75 (air)
5. Plan-NEOFLUAR 16x, NA 0.50 (air)

## Transmission



## Mercury



sample

## Scanner

Beam combiner

### Mercury lamp cubes

1. None
2. BFP
3. GFP
4. RFP

Verdi Pump laser

Mira 2-foton laser

Enterprise UV-laser

AOM



# LSM510 detection options

